



mo-sys
G30
Gyro-Stabilized
Heavy-Duty Camera Head

V I S I O N I N M O T I O N



Oversize Direct Drive Motors

- **High torque output** - provides rapid stabilized acceleration of heavy payloads. Ensures the G30 delivers precise camera movement with optimum stabilization, even with heavy cameras.
- **Built-in axis encoders** - for virtual production and green screen use. Enables the G30 to be used for VFX shots.

Designed for Large Camera/Lens Packages

- **Oversized frame** - no need to use counterweights with large camera payloads to compensate for a gyro frame that is too short. The G30's frame design combined with its powerful motors and semi-automatic balancing system, ensures that balancing a heavy payload is as simple as balancing a medium payload.

Key Features

Key Features

Assisted Balancing

On the back of the G30 are controls for Pan, Tilt, Roll. Pressing each button in turn enables the operator to adjust the axis chosen whilst the G30 holds the camera package in the other two axes. This dramatically reduces the time taken to balance the camera package across all three axes.



Key Features



NEW Digital Display Console

The Digital Display console for the G30 takes its design from the automotive industry. It comprises a shallow menu structure, a display showing the operator current parameter settings, and physical controls for direct, tactile, intuitive operation. This is the optimum interface for stressed production environments, where changes need to be fast and delays minimised. The Digital Display Console can be used in conjunction with pan bars, cine wheels, or a Mo-Sys TV Console.



Novel 45 Degree Frame Geometry

- **Increased camera access** – provides all round access to camera connectors and components. Ensures minimum downtime whilst mounting cameras to the G30.
- **Shorter and stiffer frame** – better performance when used on telescopic camera cranes. Provides crisper camera movement with minimal flexing, ensuring the smoothest looking images.
- **No gimbal lock when camera points down** – with a re-ordered axis priority (pan, tilt, roll), the G30 frame geometry solves the downward gimbal lock issue. This occurs in some conventional remote heads when mounted on crane, where pan axis movement/stabilization is not possible when the camera points directly down. Removing downwards gimbal lock ensures the G30 has all 3 axes of movement and stabilization available for downward looking shots.
- **+/- 45 degree roll axis** – providing 90 degrees of roll axis movement, whilst avoiding downward gimbal lock, delivers more valuable capability for productions.

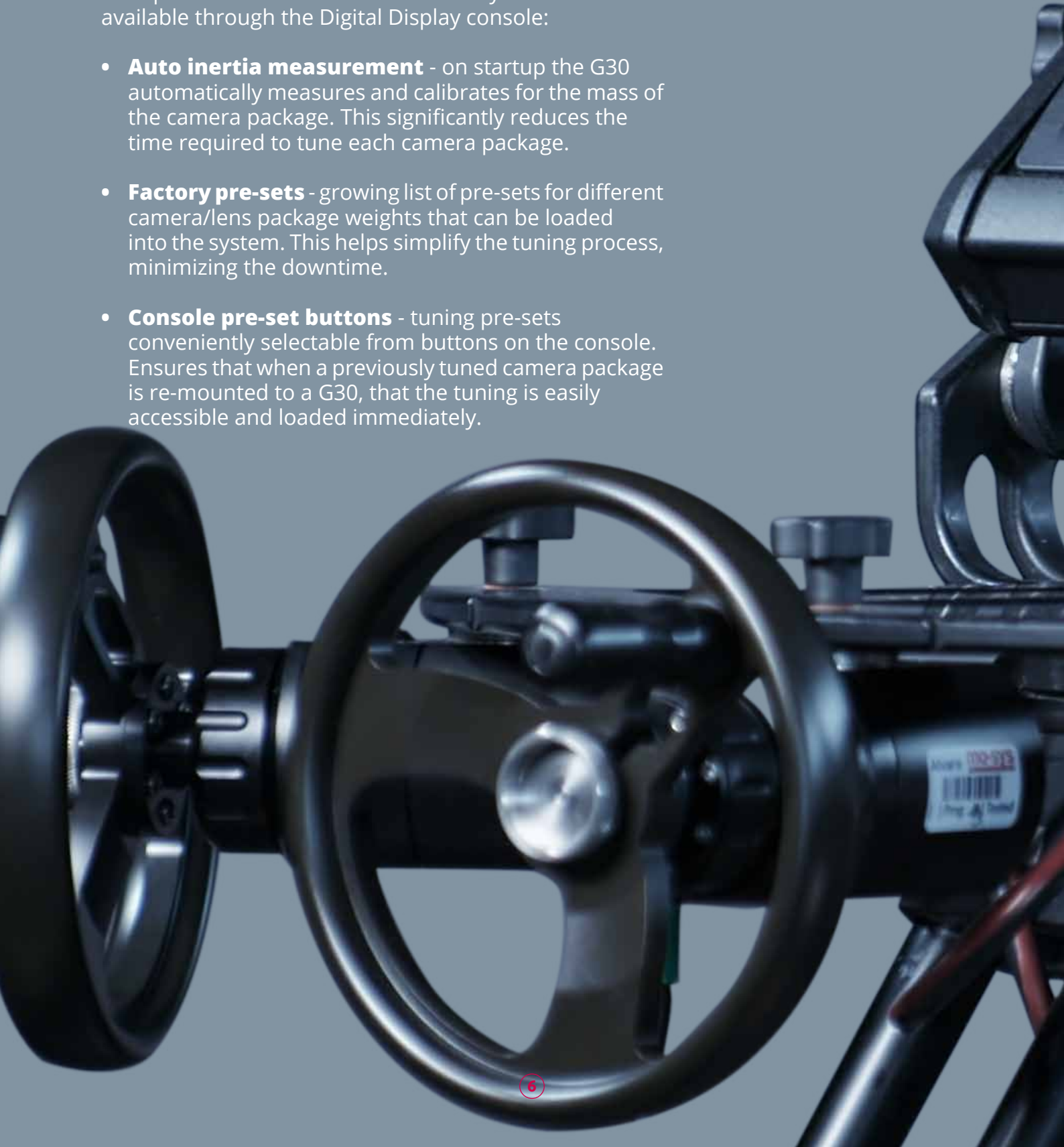
Key Features

Simple Tuning

Using a combination of the G30's assisted balancing, simple cage adjustment, and Digital Display console, tuning a camera package for optimum performance is simple and fast compared to traditional gyro-stabilized heads.

This process is further accelerated by smart features available through the Digital Display console:

- **Auto inertia measurement** - on startup the G30 automatically measures and calibrates for the mass of the camera package. This significantly reduces the time required to tune each camera package.
- **Factory pre-sets** - growing list of pre-sets for different camera/lens package weights that can be loaded into the system. This helps simplify the tuning process, minimizing the downtime.
- **Console pre-set buttons** - tuning pre-sets conveniently selectable from buttons on the console. Ensures that when a previously tuned camera package is re-mounted to a G30, that the tuning is easily accessible and loaded immediately.





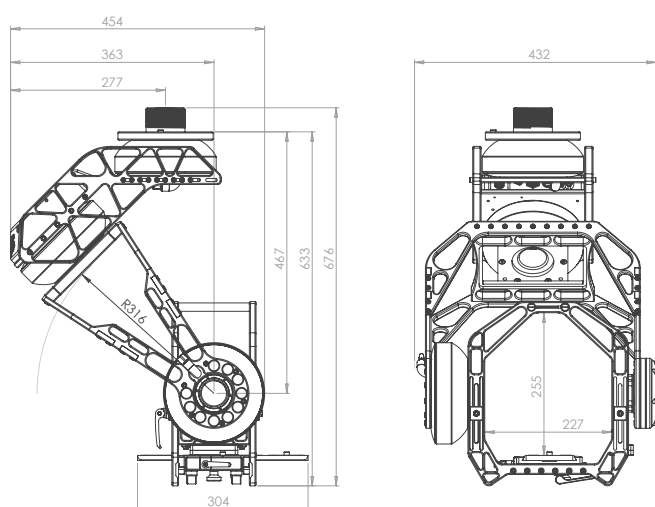
Key Features

System Information

Mo-Sys G30 Gyro-Stabilized Heavy-Duty Camera Head



Stabilized Axis	3 (Pan, Tilt, Roll)
Max. Payload	up to 30Kg/66lbs
Height	633 mm
Width	432 mm
Depth Head	454 mm
Frame Inside Height	255 mm
Frame Inside Width	227 mm
Weight	24kg
Weight with wire isolator	27kg
Max. Tilt Range	± 360
Max. Roll Range	± 45
Max. Pan Range	± 360
Max. Pan Rate	180 / sec
Max. Tilt Rate	180 / sec
Max. Roll Rate	180 / sec
Operating Voltage Head	15V - 30V
Current required	<5 Amp



For more information
sales@mo-sys.com | www.mo-sys.com

mo-sys
VISION IN MOTION